

MODULAR CONNECTIONS, LLC

CONNECTING YOU TO THE BEST BUILDING SOLUTIONS

P 205-980-4565 F 877-675-5851

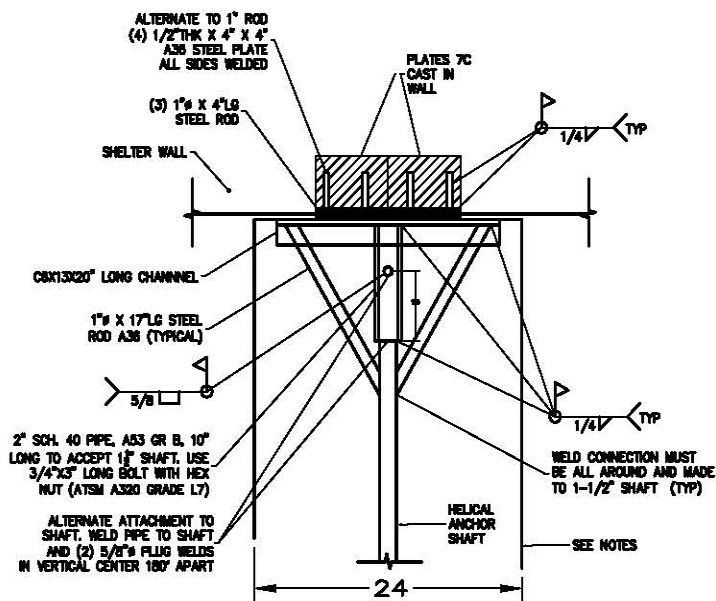
TORNADO RATED MODULAR OFFICES



Through extensive structural engineering, Modular Connections now has the solution to inclement weather while employees are at work. Our pre-engineered, FEMA 361 design, tornado resistant modular offices. Our offices are prefabricated indoors, then shipped and set on a special foundation to achieve a 250MPH wind rating with missile impact rating. All doors, windows and opening are protected.



Interior Finishing Completed Before Delivery



Modular Connections' Helical Pier Foundation Detail

Through the use of our pre-engineered helical pier foundation, your office will be securely welded to the site. The foundation work is usually performed by your choice of contractor with plans supplied by Modular Connections. Site work shall be completed before building is shipped. Modular Connections will weld your office to the helical piers to assure a perfect installation.

Call Today for a Free Quote



MODULAR CONNECTIONS, LLC
CONNECTING YOU TO THE BEST BUILDING SOLUTIONS

205-980-4565 Fax 877-675-5851 Sales@ModularConnections.com

1090 Industrial Blvd, Bessemer, AL 35022

www.ModularConnections.com

